

# SMS PROJECTOR SHORT THROW WALL MOTORIZED



## Interactive attraction.

A light and attractive version of our wall bracket with push-button height adjustment. The motor is now elegantly concealed behind the board, and a newly designed wall fitting replaces the floor fitting, freeing floor space and providing easy access to the bracket for all users. The stand can be adjusted both vertically and horizontally upon installation. One useful new feature is that it is easy to get the best possible image by fine-tuning the height of the projector pillar. Installation time has been significantly reduced by the use of premounted components. A single transport box. Universal board holder and projector slide. Horizontal and vertical adjustments are possible at installation. Simplified cable feed through.

# SMS PROJECTOR SHORT THROW WALL MOTORIZED

## INFO

- Finish: white/silver.
- Maximum board weight: 50 kg
- Maximum projector weight: 8 kg
- Maximum board height: 1500 mm
- Minimum board height: 1170 mm
- Maximum board width: unlimited
- Maximum board depth: 90 mm
- Tilt of projector slide:  $\pm 15^\circ$
- Adjustments: the main pillar can be electrically adjusted in the vertical direction. The projector can be suspended at a freely chosen position anywhere on the projector pillar. On the projector pillar, there is an adjustment plate which allows the bar to be adjusted upward or downward by 12.5 mm, enabling a precise focusing of the image on the board.
- Guarantee: 2 years.

**Other information:** One universal fitting that can be used with most currently available interactive boards – the same fitting is ordered for all brands of board.

## ART. NO

AE019020

## DESCRIPTION

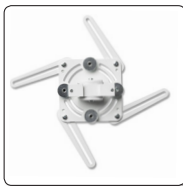
SMS Projector Short Throw Wall Motorized A/W

### White fittings projector pillar:

FS000450AW-P2 SMS Projector Short Throw 450 A/W  
 FS000680AW-P2 SMS Projector Short Throw 680 mm A/W  
 FS001202AW-P2 SMS Projector Short Throw 1200 mm A/W  
 FS001450AW-P2 SMS Projector Short Throw 1450 mm A/W

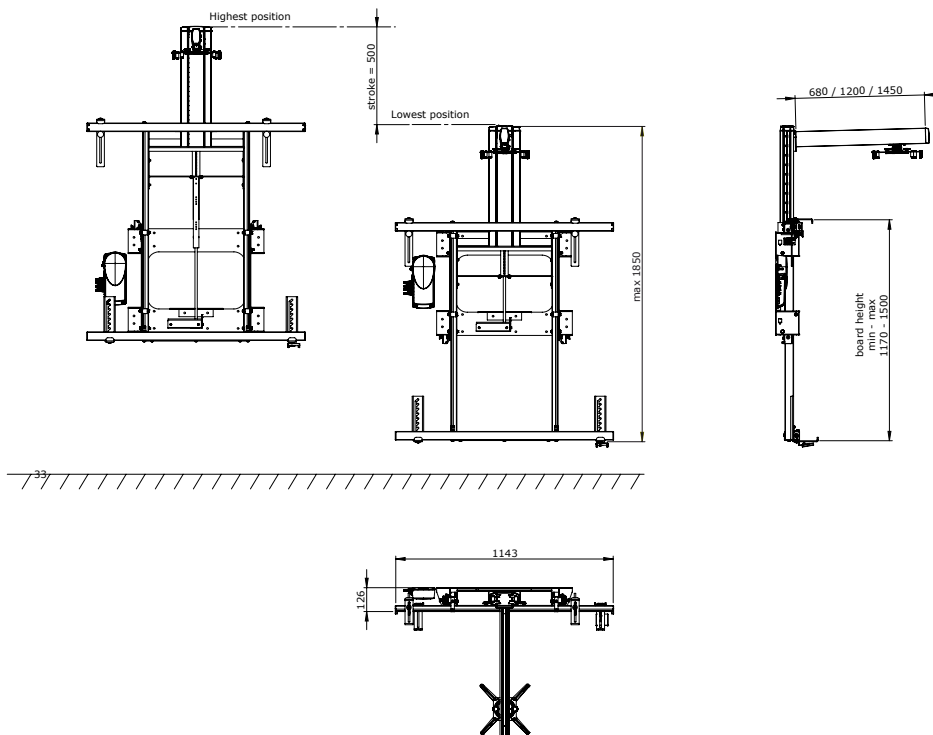
### Accessory:

AE018002 SMS X Remote Control Kit



White plastic fittings and a white universal projector slide.

The adjustment plate allows the bar to be adjusted upward or downward by 12.5 mm.



SMART MEDIA SOLUTIONS

[www.SmartMediaSolutions.se](http://www.SmartMediaSolutions.se)