

NEW PRODUCT

Stylish Large-screen Panels with Advanced Features

Highly functional commercial-use displays featuring high-brightness, thin-bezel design, and compliance with Open Pluggable Specifications (OPS) standards to support future system expansion.



Frame rate
120Hz

55" LCD Display
**MDT
551S**

Resolution
1920x1080
(Full HD)

Colours
1.06 billion

Brightness
700cd/m²

Contrast Ratio
1300:1

Viewing Angle
Up/Down 178°
Left/Right 178°

Response Time
10ms (Grey to Grey)

Options

Stand: **ST-461V**
Speakers: **SP-551S**
CAT5 Transmitter Box:
DP-2CA5-T
CAT5 Receiver Box:
DP-2CA5-R
SDI Box:
DP-1SDI-3G



● High Brightness of 700cd/m²

A high-brightness panel specially designed for public space applications, ensuring crystal-clear images even in well-lit environments.

● Stylish Aluminum Bezel

Ultrathin 17.5mm bezel provides a stylish accent and draws maximum attention to the screen, especially for contents viewed on multiple screens.



● OPS-compatible Slot

Support for CAT5, as for previous models, and the added feature of Open Pluggable Specification compatibility allowing insertion of a personal computer card*, which eliminates the time and effort required to connect a signal cable, and opens up a wider scope of applications.



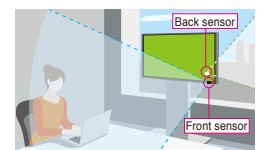
● SDI Card

An SDI card is available as an option, allowing compatibility with standard signal formats (3G-SDI, HD-SDI, SD-SDI) used in the broadcast industry and daisy-chain connection of up to 25 units with a maximum cable length of 350m* (for SD-SDI).

* Possible transmission distance varies depending on installation conditions and the cable used.

● Auto Brightness

Two external light sensors are embedded in the display (i.e., one each in front and back) for detecting brightness in front of the display as well as light from outside or reflected light at the rear of the unit. This not only realises automatic brightness control according to the usage environment, but also contributes to reduced power consumption and cost-savings.



● Other Features

Face-up Installation The ability to install displays face-up further increases commercial-use applications.

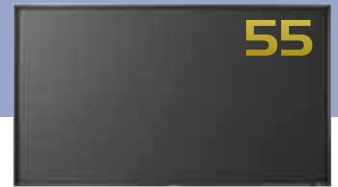
120Hz Compatible This feature realises smooth playback of fast-moving images.

Built-in Speakers (10W+10W) Each panel has two built-in 10W speakers, eliminating the time, effort and cost required to connect external speakers.

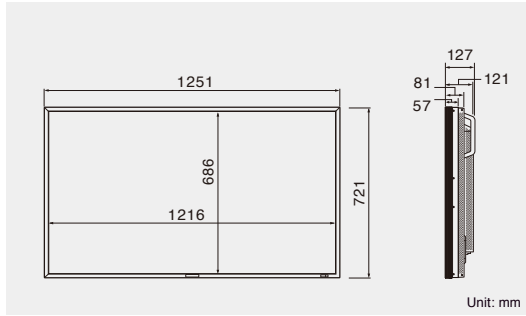
*The MDT551S is compatible with Advantech Co. Ltd's ARK-DS220F-MTSA1E. For details, please contact a local Advantech dealership.

55" LCD Display

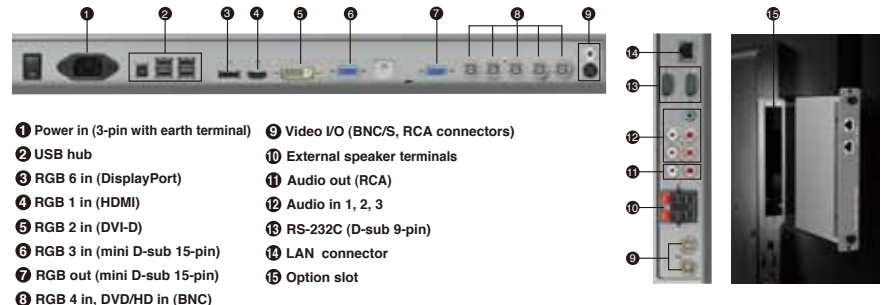
MDT55IS



Dimensions



Connector Terminals



- ❶ Power in (3-pin with earth terminal)
- ❷ USB hub
- ❸ RGB 6 in (DisplayPort)
- ❹ RGB 1 in (HDMI)
- ❺ RGB 2 in (DVI-D)
- ❻ RGB 3 in (mini D-sub 15-pin)
- ❼ RGB out (mini D-sub 15-pin)
- ❽ RGB 4 in, DVD/HD in (BNC)
- ❾ Video I/O (BNC/S, RCA connectors)
- ❿ External speaker terminals
- ⓫ Audio out (RCA)
- ⓬ Audio in 1, 2, 3
- ⓭ RS-232C (D-sub 9-pin)
- ⓮ LAN connector
- ⓯ Option slot

Specifications

Orientation		Landscape/Portrait/Face-up		
LCD module	Screen size (diagonal)	54.6" (1388mm)		
	Panel type	IPS		
	Pixel pitch	0.630mm		
	Resolution	1920 × 1080 (Full HD)		
	Colour	Approx. 1.06 billion		
	Brightness	Max.: 700cd/m ² Factory default setting: 480cd/m ²		
	Contrast ratio	1300:1		
	Viewing angle (CR≥10)	Up/Down 178°, Left/Right 178°		
Response time	10ms (Grey to Grey)			
Viewing area	1209 × 680mm (47.6 × 26.8")			
Power management	VESA DPM			
Plug-n-Play	VESA DDC2B, DDC/CI			
Auto adjustment	Contrast, Position, Phase, Clock			
OSD user functions	Brightness, contrast, black level, zoom, PIP, screensaver, side border colour, Gamma selection, black level expansion, heat status, power-on delay, schedule, tiling, CAT5 control, LAN control, closed caption, programmable LUT, etc.			
Input/Output signal	PC input/output	Input connector (Analog)	Mini D-sub 15-pin, BNC (R, G, B, H, V) (PC/AV common)	
		Input connector (Digital)	HDMI (PC/AV common), DVI-D (with HDCP, PC/AV common), DisplayPort	
		Output connector	Mini D-sub 15-pin	
		CATS input (option)	Modular 8-pin×1 providing RGB differential video and RS-485 control support	
		CATS output (option)	Modular 8-pin×1 providing RGB differential video and RS-485 control support	
		Resolutions supported	15.625/15.734, 31.5-91.1kHz	
	AV input/output	Horizontal frequency	50, 58-85Hz	
		Vertical frequency	Analog: RGB, Digital: RGB	
		Video signal	Analog: separate (TTL), composite (TTL), Sync-on-Green, Digital: TMDS	
		Sync signal	640 × 480, 800 × 600, 1024 × 768, 1280 × 768, 1360 × 768, 1280 × 1024, 1600 × 1200, 1920 × 1080, 1920 × 1200 (1600 × 1200, 1920 × 1200 simplified compression)	
		Resolutions supported	Composite video <BNC>, S-terminal, BNC (Y/Pb/Pr); PC/AV common	
		Resolutions supported	HDMI (PC/AV common), DVI-D (with HDCP, PC/AV common)	
Audio input/output	Input connector (Analog)	Analog: composite video <BNC>		
	Input connector (Digital)	Composite signal/S-terminal: NTSC, PAL, SECAM, 4.43 NTSC, PAL60		
	Output connector	Component signal: 480i, 480p, 576i, 576p, 720p, 1080i, 1080p		
	Resolutions supported	RCA pin jacks × 2 (L/R), stereo mini jack		
	Input connector	HDMI × 1		
	Output connector	RCA pin jacks (L/R)		
Speaker/Audio output	Input connector	External speaker jacks (7W + 7W) and internal speakers (10W + 10W)		
	Output connector	RS-232C <D-sub 9-pin>, LAN <modular 8-pin>		
	Control input/output	RS-232C <D-sub 9-pin>		
USB hub	Self-powered hub: 2 upstream (OPS slot, external connection)/4 downstream/USB2.0 compliant			
Option slot (OPS slot)	Both digital (OPS) and analog (CAT5) supported			
Power supply	Voltage, Current	100-240VAC, 50/60Hz		
	Consumption	Max.: 316W (293W w/o speakers) Factory default setting: 202W		
	Consumption in economy mode	Less than 5W with CAT5 input selected Less than 1W with other input selected 0W with power switch off		
Dimensions (W × H × D)	Net	1251 × 721 × 127mm (49.3 × 28.4 × 5.0")		
	Overall	1474 × 938 × 346mm (58.0 × 36.9 × 13.6")		
Weight	Net	Approx. 37.0kg / 81.7lbs		
	Gross	Approx. 47.5kg / 104.8lbs		
Wall mounting interface	8 holes, M8 screws (200mm (7.9") pitch) for monitor, 4 holes × 2 sets, M4 screws (100mm (4.0") pitch) for SBC, Signage player mounted on monitor			
Regulation/Guideline compliance	UL60950-1/C-UL/CE Marking/BSMI/GOST-R/FCC-A /DOC-A/C-Tick/ RoHS/US Mercury/Energy Star/CCC only for Chinese model			
Accessories	Power cord, signal cable (mini D-sub 15-pin to mini D-sub 15-pin cable), User's Manual, wireless remote control, batteries, clamps (for power cord and HDMI cable), etc.			

* Values shown in the Specifications chart are typical values; actual values may vary depending on individual unit differences.

* The display size shown on the cover page of this flyer is rounded off to a whole number. The actual size is listed in the Specifications chart.

MITSUBISHI ELECTRIC CORPORATION
 HEAD OFFICE: TOKYO BLDG., 2-7-3, MARUNOUCHI, CHIYODA-KU, TOKYO 100-8310, JAPAN
<http://www.MitsubishiElectric.com/>

- All information contained herein may be changed without prior notice.
- HDMI, **HDMI** and High-Definition Multimedia Interface are trademarks or registered trademarks of HDMI Licensing, LLC in the United States and other countries.
- Other brand, product, and service names are trademarks or registered trademarks of the respective companies.
- Product appearance in this flyer does not imply that Mitsubishi Electric Corporation intends to make it available in all countries where Mitsubishi Electric Corporation and its subsidiaries operate.
- Photographs are simulated images.



Revised publication, effective XXX. 2011.
 Superseding publication X-X00-0-00000-X XXX. 2011
 Specifications are subject to change without notice.