

EW230U-ST

Ultra-short throw

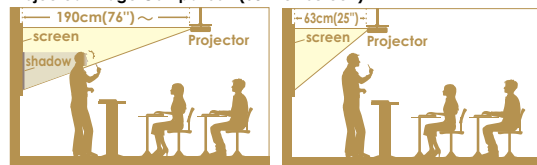
Sharp & clear widescreen images
from a distance of just 63cm from the screen

Ultra-short Throw Projection

The issue of presenting in environments with limited projection space can now be eliminated with the new EW230U-ST. This native WXGA projector is equipped with an ultra-powerful short-throw lens that can project an amazing 60-inch diagonal image from a distance of just 63cm (25 inches) from the screen.

The short projection distance removes, previous concerns about presenters casting their shadow on the screen.

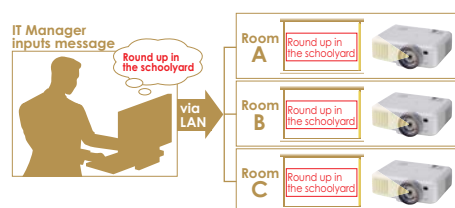
Projected Image Comparison (60-inch screen)



Conventional Mitsubishi Electric model [Projection distance of 190cm+(76"+)]
EW230U-ST

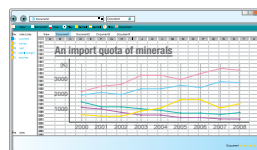
Network Connectivity

The EW230U-ST is equipped with a built-in LAN(RJ-45) terminal for remote operation when connected to a network. Additionally, when used with Crestron® software, integrated control of up to 250 projectors including power on/off control, message display on multiple projectors and confirmation of lamp service hours is possible using RoomView™/e-Control™ applications.



Wide-screen Compatible

The EW230U-ST is a WXGA projector with 1280 x 800 pixel resolution, supporting the shift towards wide-screen computer monitors. It reproduces a display area 1.3 times that of conventional XGA projectors, ensuring full compatibility with wider screens and eliminating the need for left to right screen adjustment. Depending on the software installed, dual-screen projection, such as simultaneous viewing of the menu and previews, is possible.



Display different windows side by side, banishing the idea of left-right scrolling.



Wide-screen broadcasts in all their natural glory.

- 2500 ANSI lumens
- 2000:1 Contrast ratio
- WXGA
- 2.8kg
- Direct power off
- Up to 4000 hour lamp life
- 3-D Ready
- Brilliant Colour™ technology
- Dual RGB Input terminal

HDMI™
HIGH DEFINITION MULTIMEDIA INTERFACE

**WIDE
WXGA**

**DLP™
3D
READY**

Brighter display solutions

NEW

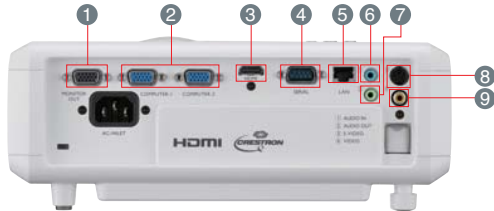


EW230U-ST

Ultra-short throw Projector

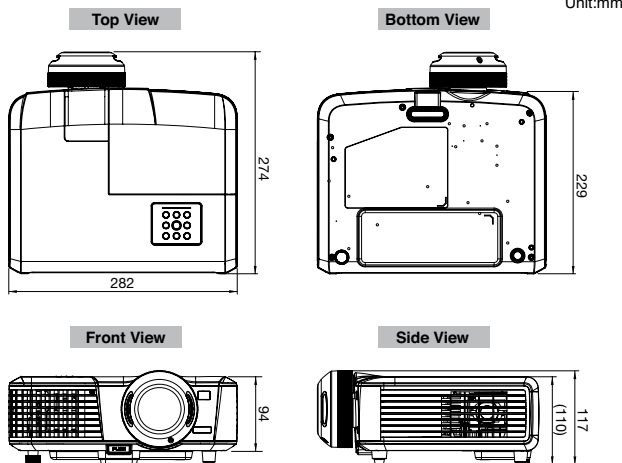
Brilliant Colour™	Wall Screen	Password Lock	Direct Power Off	Long-life Lamp	Low Standby Power	Picture Performance
Top Loading Lamp	Ultra-short Throw Lens	Closed Caption	Low Fan Noise	LAN (RJ-45)	HDMI	User Friendly

Input and Output Terminals



- 1 Monitor output
- 2 PC/Component video input
- 3 HDMI
- 4 Serial RS-232C
- 5 LAN (RJ-45)
- 6 Audio input
- 7 Audio output
- 8 S-Video
- 9 Video

Dimensions

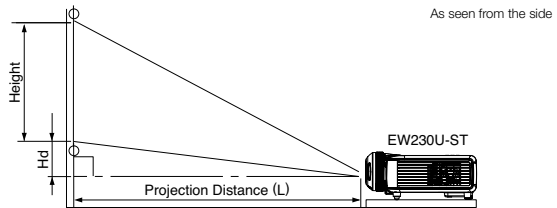


Specifications

Model	EW230U-ST
Display Technology	0.65" 1-Chip DMD
Resolution	1280 x 800 (Total 1,024,000 pixels)
Brightness	2500lm
Contrast Ratio	2000 : 1
Picture Size*1	50" - 300"
Throw Ratio**	0.5
Source Lamp	160W (4000hr**2) with Low Mode, 185W (3000hr**2) with Standard Mode
PC Compatibility	640 x 480 - 1600 x 1200, True : 1280 x 800, Sync on Green available
Video Compatibility	NTSC / NTSC 4.43 / PAL (including PAL-M, N) / SECAM / PAL-60 Component Video ; 480i/p (525i/p), 576i/p (625i/p), 720p (750p), 1080i/p (1125i/p 60Hz), 1080i/p (1125i/p 50Hz)
Input Terminals	RGB ; mini D-sub 15pin x 2 Video ; RCA x 1 + S-VIDEO x 1 Digital ; HDMI (Ver1.2) x 1 Audio ; Stereo mini jack (ø3.5mm) x 1
Output Terminals	RGB ; mini D-sub 15pin x 1 Audio ; Stereo mini jack (ø3.5mm) x 1
Communication Terminal	RS-232C; D-Sub 9pin x 1 LAN ; RJ-45 x 1
Speaker Output	2W Mono
Dimensions (W x H x D)	282 x 94 x 229 mm / 11.1 x 3.7 x 9.0 inch (Not including protrusion)
Weight	2.8kg / 6.2lbs
Power Requirements	AC 100-240V, 50/60Hz
Optional Lamp	VLT-EX240LP

• Compliance with ISO21118-2005
 • All brand names and product names are trademarks, registered trademarks or trade names of their respective holders.
 *1: Value may vary a few percent from that listed in the chart.
 *2: It's an estimated life time and the lamp is to be shut off upon the arrival. And it's not the time specified in the warranty.
 *3: The above numbers are approximate, and may be slightly different from the actual measurements.

Screen size and Projection distance



Screen size chart (16:10 aspect ratio)

Diagonal Size		Screen				Distance from screen (L)		Height projected image (Hd)	
inch	cm	inch	cm	inch	cm	inch	m	inch	cm
50	127	42	108	26	67	21	0.5	1	3
60	152	51	129	32	81	25	0.6	2	4
80	203	68	172	42	108	33	0.8	2	5
100	254	85	215	53	135	41	1.1	3	7
150	381	127	323	79	202	62	1.6	4	10
200	508	170	431	106	269	83	2.1	5	13
250	635	212	538	132	337	104	2.6	7	17
270	686	229	582	143	363	112	2.8	7	18
300	762	254	646	159	404	124	3.2	8	20

The above numbers are approximate, and may be slightly different from the actual measurements.

Screen size chart (16:9 aspect ratio)

Diagonal Size		Screen				Distance from screen (L)		Height projected image (Hd)	
inch	cm	inch	cm	inch	cm	inch	m	inch	cm
50	127	44	111	25	62	22	0.6	3	7
60	152	52	133	29	75	26	0.7	3	8
80	203	70	177	39	100	35	0.9	4	11
100	254	87	221	49	125	44	1.1	5	14
150	381	131	332	74	187	65	1.7	8	21
200	508	174	443	98	249	87	2.2	11	27
250	635	218	553	123	311	109	2.8	13	34
270	686	235	598	132	336	118	3.0	15	37
300	762	261	664	147	374	131	3.3	16	41

The above numbers are approximate, and may be slightly different from the actual measurements.

MITSUBISHI ELECTRIC EUROPE

New publication, effective July 2010 Specifications subject to change without notice.