

MH2850U



crystal clear
display solutions

Super-bright SXGA+ Projector for Medical Applications

Ideal for Medical Applications

The MH2850U is Mitsubishi's latest SXGA+ (1400 x 1050 pixels) resolution high brightness LCD projector that offers both Clearbase and Bluebase DICOM® (Digital Imaging and Communications in Medicine) simulation. These two modes offer accurate detail and great colour depth for intensely detailed images required in X-ray graphics as well as CAT scans, MRIs and other medical imaging applications.

Flexible SXGA+ Portable Projector

Designed to support a flexible array of optional lenses for easy set up in various room sizes and environments in medical classrooms and hospital conference rooms; the MH2850U Super eXtended Graphics Array (SXGA+) (1400x1050) clearly projects images in a high resolution format.

Europe B.V. Visual Information Systems.info@meuk.mee.com

Long Lamp Life

Supported by our optimum design for light source lamp temperature control, a maximum lamp life of up to 5000 hours is achieved; helping to reduce the overall running costs of this projector.

Side Loading Lamp

The lamp may be removed from the side of the MH2850U quickly and easily. This eliminates the need to remove the projector from its installed position for easy lamp maintenance.



3100 ANSI LUMENS
5000 HOUR LAMP LIFE
600:1 CONTRAST RATIO

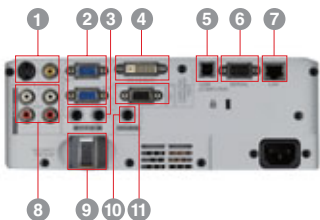




SXGA+ projector for medical use MH2850U

Input and Output Terminals

Enhanced terminal group realizes a versatile range of presentations.



- 1 S-Video / Video input
- 2 PC / Component Video input (mini D-sub 15pin)
- 3 PC / Audio input
- 4 DVI-D (with HDCP) input
- 5 USB terminal for mouse control
- 6 Serial RS-232C (D-sub 9pin)
- 7 LAN (RJ-45)
- 8 Video / Audio input
- 9 Security Anchor
- 10 Audio output
- 11 Monitor output

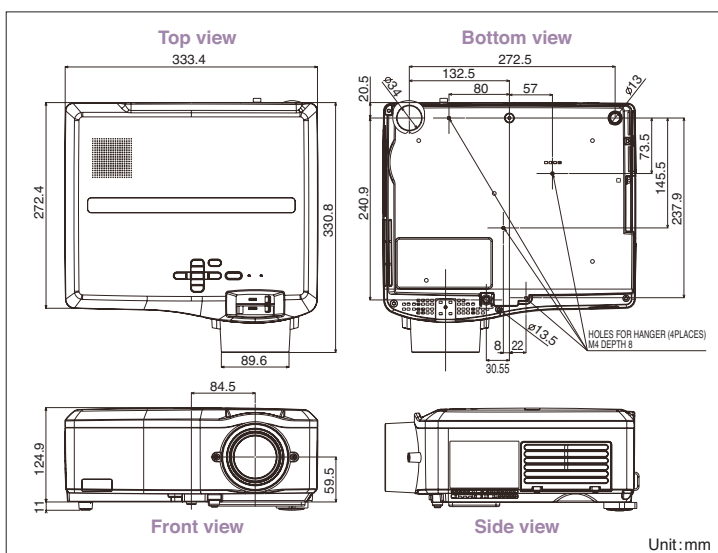
Options



Replacement lamp
VLT-XL650LP

Option Lens Line-up

	Short Throw Zoom Lens OL-XL2550MZ	Long Throw Zoom Lens OL-XL2550LZ	Tele Throw Zoom Lens OL-XL2550TZ
Model			
Zoom / Focus	Manual (1.3x)	Manual (1.5x)	Manual (1.5x)
Projection Lens	f=29-37mm F1.7-2.0	f=32-48mm F2.2-2.8	f=48-74mm F2.2-2.7



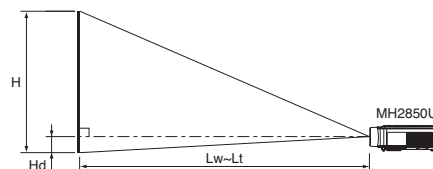
Specifications

Model	MH2850U
Display technology	0.8" 3-LCD (with Micro Lens)
Resolution	1400x1050 (total 1,470,000 pixels)
Brightness	3100lm
Contrast	600 : 1 (on/off)
Projection lens	f=24-29mm, F1.7-1.9
Throw ratio	1.5-1.8
Offset axis	9up : 1down (No variable lens shift)
Picture Size	40"~300" (100"=3.0~3.6m)
Source lamp	220W (Shut Off Time 5000Hrs) with Low Mode 261W (Shut Off Time 2000Hrs) with Standard Mode
Computer compatibility	640x480 ~ 1600x1200 True: 1400x1050, Sync on green available
Video compatibility	NTSC/NTSC 4.43/PAL(including PAL-M, N)/SECAM/PAL-60, Component Video: 480i/p(525i/p), 576i/p(625i/p), 720p(750p 50/60Hz), 1080i(1125i 50/60Hz), 1080p(1125p 50/60Hz), SCART(RGB+1V sync)
Digital keystone	Vertical: MAX +/- 35 deg, Horizontal: MAX +/- 25 deg
PC input terminals	PC: Mini D-sub 15pinx2, DVI-D(with HDCP)x1, Audio: Stereo mini(φ3.5)x2
Video input terminals	Video: RCAx1, S-VIDEOx1, Audio: RCA(L,R)x2
Output terminals	Monitor Out: Mini D-sub 15pinx1, Audio: Stereo Mini(φ3.5)x1
Communication terminals	LAN(RJ-45)x1(for projector control), RS-232C(D-Sub 9pin)x1, USB terminalx1(for mouse control)
Audio speaker	3W mono
Dimension (WxHxD)	333x125x272mm / 13.0x4.9x10.7inch (excluding height adjustment)
Weight	4.9kg / 10.8lbs
Power supply	AC100 - 240V, 50/60Hz
Optional lamp	VLT-XL650LP

*All brand names and product names are trademarks, registered trademarks or trade names of their respective holders.
*Compliance with ISO21118-2005
*This product is not in compliance with DICOM Part 14. Do not use this product for actual medical diagnosis.

Screen size and Projection distance

As seen from the side



Nomal Lens / Screen size chart (4:3 aspect ratio)

Diagonal size	Screen		Distance from screen (L)				Height projected image (Hd)				
	Width (W)	Height (H)	Maximum Zoom	Minimum Zoom	Maximum Zoom	Minimum Zoom	Maximum Zoom	Minimum Zoom			
inch	cm	inch	cm	inch	cm	inch	m	inch	m	inch	cm
40	102	32	81	24	61	46	1.2	56	1.4	2.4	6
60	152	48	122	36	91	70	1.8	85	2.2	3.6	9
80	203	64	163	48	122	94	2.4	114	2.9	4.8	12
100	254	80	203	60	152	118	3.0	142	3.6	6.0	15
150	381	120	305	90	229	177	4.5	215	5.5	9.0	23
200	508	160	406	120	305	237	6.0	287	7.3	12.0	31
250	635	200	508	150	381	297	7.5	359	9.1	15.0	38
300	762	240	610	180	457	357	9.1	-	-	18.0	46

Option Lens / Screen size chart (4:3 aspect ratio)

Diagonal size	Screen		OL-XL2550MZ				OL-XL2550LZ				OL-XL2550TZ				
	Width (W)	Height (H)	Distance from screen (L)		Height projected image (Hd)	Distance from screen (L)		Height projected image (Hd)	Distance from screen (L)		Height projected image (Hd)				
inch	cm	inch	cm	inch	cm	inch	m	inch	cm	inch	m	inch	m	inch	cm
40	102	32	81	24	61	55	1.4	71	1.8	2.4	6	-	-	-	-
60	152	48	122	36	91	84	2.1	108	2.7	3.6	9	92	2.4	144	3.7
80	203	64	163	48	122	113	2.9	145	3.7	4.8	12	124	3.2	193	4.9
100	254	80	203	60	152	142	3.6	182	4.6	6.0	15	155	4.0	242	6.2
150	381	120	305	90	229	214	5.4	274	6.9	9.0	23	234	6.0	365	9.3
200	508	160	406	120	305	285	7.3	366	9.3	12.0	31	313	8.1	487	12.4
250	635	200	508	150	381	357	9.1	-	-	15.0	38	392	10.1	-	-
300	762	240	610	180	457	429	10.9	-	-	18.0	46	471	12.1	-	-

The above numbers are approximate, and may be slightly different from the actual measurements.

DICOM® is the registered trademark of the National Electrical Manufacturers Association for its standards publications relating to digital communications of medical information.



New publication, effective December 2008 Specifications subject to change without notice.