

**MITSUBISHI
ELECTRIC**

Display Solutions

crystal clear
display solutions

Changes for the Better



XD250U-ST

Large screen impact for smaller venues

Functional Performance at its Best

Short throw projection

Projection space in small rooms is no longer a problem, thanks to Mitsubishi's new XD250U-ST. Designed with a short throw lens the XD250U-ST can produce a 60inch screen from just 83cm away. Images appear crystal clear and users can now place the projector on the edge of a tabletop, eliminating the loss of workspace commonly caused by long projection paths.

Low Operating Cost

Mitsubishi continue to develop fully functional energy efficient products that reduce the overall operating cost. The XD250U-ST not only benefits from a 1W standby mode, but it also utilises a long lamp life of up to 6,000 hours. In addition the filter free design reduces dirt and dust particles from entering the projector, minimising service issues.

2600 ANSI lumens
2500:1
Top-loading Lamp

Quick Menu
HDMI, Dual PC
Input

Professional Specification and High Cost Performance.

Visual PA

A control room computer equipped with projector-control software can be used to send simultaneous messages in real time to a series of projectors connected to the LAN. Users can send messages up to 350 characters long, making this function ideal for broadcasting important information to multiple projectors.

Excellent Sound Projection

Built with a high-volume, 10W audio speaker the XD250U-ST eliminates the need for an external speaker. When using a microphone (sold separately) the presenter's voice is produced loud and clear. Additionally, the "Audio Mix" feature enables the microphone's audio to combine with the sound from another input source.

All-in-one Management of Multiple Projectors

Installing ProjectorView Global+ (available separately) and connecting the XD250U-ST to a dedicated LAN allows users to view the status of multiple projectors in the same building. Remote operations of the power switch (ON/OFF), image input switch and other functions can be managed via the web.

NEW



XD250U-ST

Ultra-short Throw Projector

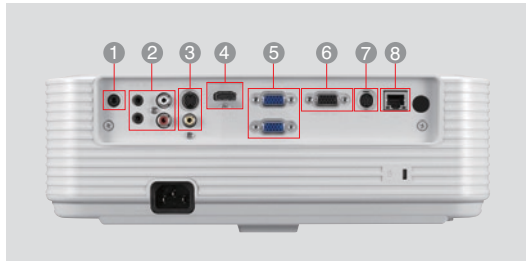
Brilliant Color™	Color Enhancer	Wall Screen	User Logo Projection	10W Speaker	Password Lock	Instant Shutdown
Long-life Lamp	Low Standby Power	Top/Side Loading Lamp	LAN (RJ-45)	HDMI	Closed Caption	Low Fan Noise
Picture Performance		Presentation		User Friendly		

Specifications

Model	XD250U-ST
Display Technology	0.55" 1-Chip DMD
Resolution	1024 x 768 (Total 786,432 pixels)
Brightness	2600lm
Contrast Ratio	2500 : 1
Picture Size	40" - 300"
Throw Ratio	0.7
Source Lamp	190W (Shut-off Time 6000hr) with Low Mode, 230W (Shut-off Time 3000hr) with Standard Mode
PC Compatibility	640 x 480 - 1280 x 1024, True : 1024 x 768, Sync on Green available
Video Compatibility	NTSC / NTSC 4.43 / PAL (including PAL-M, N) / SECAM / PAL-60 Component Video : 480i/p (525i/p), 576i/p (625i/p), 720p (750p), 1080i (1125i 60Hz), 1080i (1125i 50Hz)
Input Terminals	RGB ; mini D-sub 15pin x 2 Video ; RCA x 1, S-VIDEO x 1 Digital ; HDMI x 1 Audio ; Stereo mini jack (ø3.5mm) x 2, RCA jack (L/R) x 1
Output Terminals	RGB ; mini D-sub 15pin x 1 Audio ; Stereo mini jack (ø3.5mm) x 1
Communication Terminal	RS-232C ; mini DIN 8pin x 1, LAN ; RJ-45 x 1
Audio Speaker	10W Mono
Dimensions (W x H x D)	325 x 118 x 251 mm / 12.6 x 4.1 x 9.3 inch
Weight	3.4kg / 7.5lbs
Power Requirements	AC 100-240V, 50/60Hz
Optional Lamp	VLT-XD280LP

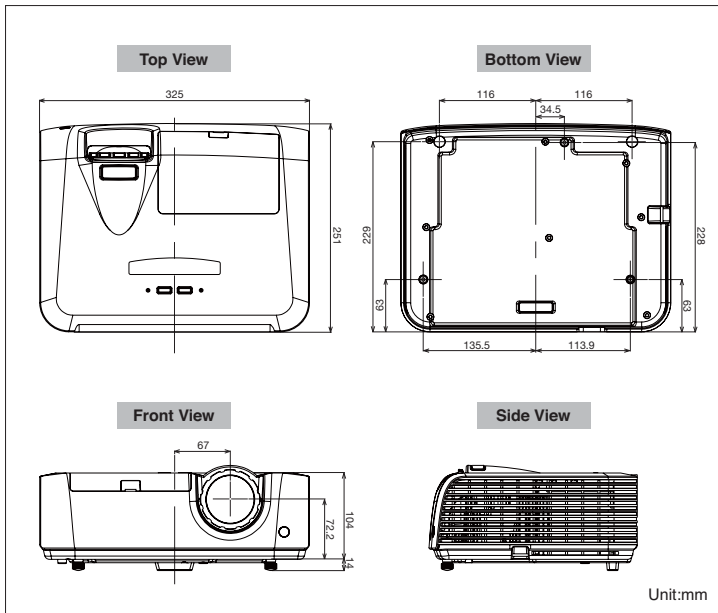
• Compliance with ISO21118:2005
• All brand names and product names are trademarks, registered trademarks or trade names of their respective holders.

Input and Output Terminals

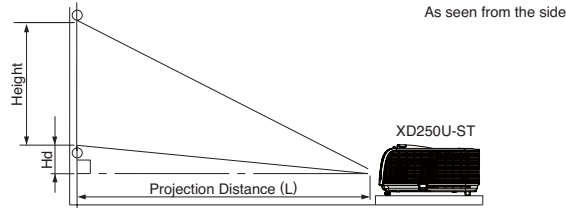


- 1 Audio output
- 2 Audio input
- 3 S-Video/Video
- 4 HDMI
- 5 PC/Component Video input
- 6 Monitor output
- 7 Serial RS-232C
- 8 LAN (RJ-45)

Dimensions



Screen size and Projection distance



Screen size chart (4:3 aspect ratio)

Diagonal Size		Screen				Distance from screen (L)		Height projected image (Hd)	
		Width (W)		Height (H)					
inch	cm	inch	cm	inch	cm	inch	m	inch	cm
40	102	32	81	24	61	22	0.5	3.6	9
60	152	48	122	36	91	33	0.8	5.4	14
80	203	64	163	48	122	44	1.1	7.2	18
100	254	80	203	60	152	55	1.4	9.0	23
150	381	120	305	90	229	83	2.1	13.4	34
200	508	160	406	120	305	111	2.8	17.9	45
250	635	200	508	150	381	139	3.5	22.4	57
300	762	240	610	180	457	167	4.3	26.9	68

The above numbers are approximate, and may be slightly different from the actual measurements.

Screen size chart (16:9 aspect ratio)

Diagonal Size		Screen				Distance from screen (L)		Height projected image (Hd)	
		Width (W)		Height (H)					
inch	cm	inch	cm	inch	cm	inch	m	inch	cm
40	102	35	89	20	50	23	0.6	7.2	18
60	152	52	133	29	75	36	0.9	10.8	27
80	203	70	177	39	100	48	1.2	14.3	36
100	254	87	221	49	125	60	1.5	17.9	46
150	381	131	332	74	187	91	2.3	26.9	68
200	508	174	443	98	249	121	3.1	35.9	91
250	635	218	553	123	311	152	3.9	44.8	114
300	762	261	664	147	374	182	4.6	53.8	137

The above numbers are approximate, and may be slightly different from the actual measurements.

MITSUBISHI ELECTRIC EUROPE

New publication, effective November 2009 Specifications subject to change without notice.