

NM-IP4500*

Outdoor PTZ Dome IP Camera

- Built-in Video Content Analytics
- Up to 432X Zoom (Optical 36X, Digital 12X)
- H.264 25 FPS@D1, 2-way Audio
- Video Compression: H.264, MPEG-4, MJPEG (Dual Stream)
- Day & Night (IR Cut Filter), DSS
- De-interlacing on DSP
- Burnt-in Text, Video Motion Detection
- SDK for software integration
- Stealth Spin (World Most Silent Speed Dome)
- 0.024° Dome System Accuracy with 1/8 micro Step
- Controlling Pan/Tilt Speed While Zooming
- Power Misconnection Protection Function on RS-485 Terminal
- NM-IP4500 is an Outdoor PTZ Camera



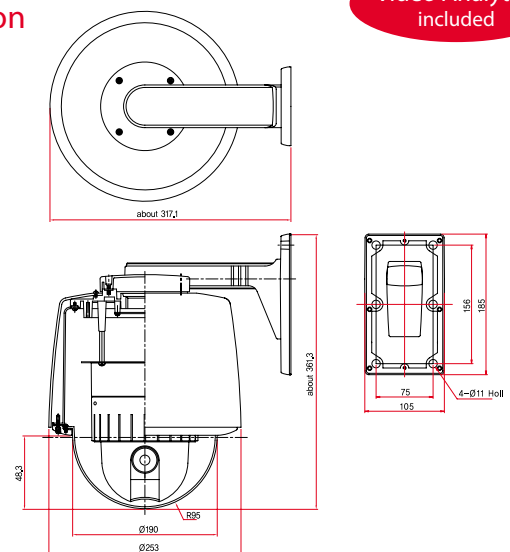
*Manufactured by Y.H.Info

Specifications

Camera Module	
Image Sensor	1/4" Sony Exview HAD CCD
Number of effective Pixel	NTSC - 768(H) x 494(V) 380 K PAL - 752(H) x 582(V) 440 K
Horizontal resolution	530TVL
Lens (Optical)	36x Optical Zoom (F=1.6~F4.5, f=3.4 to 122.4 mm)
Lens (Digital)	12x (432x with optical)
Day & Night (ICR)	Auto / Day / Night
Min. Shooting Distance	0.32m (Wide) / 1.5m (Tele)
Digital Slow Shutter	ON / OFF
Minimum Illumination	0.1 Lux (50 IRE): (Normal mode) 0.01 Lux (ICR On): (Night mode)
Luminance S/N ratio	More than 50dB
BLC	ON / OFF
Flicker less (NTSC)	ON / OFF
PAN / TILT	
Pan Rotation Angle	360° Quick Endless Rotation
Pan Speed (Manual)	0.5° ~ 100 or 200° / sec (64 steps)
(Preset)	Max 300° / sec, Min 10° / sec
Tilt Rotation Angle	-2° ~ 90°
Tilt Speed (Manual)	0.5 ~ 45° / sec (64 steps)
(Preset)	Max 250° /sec, Min 200° / sec
System Accuracy	0.024°
Dome	
Presets	165 positions with 16 character labels available for each position with different speed steps
Guard Tour	Max 8 Groups (Each one consisting of up to 60 steps)
Auto Pan	Programmable Auto Scan
Pattern	8 Programmable Patterns (Total 480 seconds)
Sector	9 Selectable Sectors with 16 characters
Privacy Zone	24
Auto Flip	On / OFF
OSD menu	Yes
Video	
Compression Format	H.264, MPEG-4, MJPEG
Number of Streams	Dual Stream, Configurable
Resolution	D1, CIF, QCIF
Compression FPS	25 fps@D1
Deinterlacing	Yes (DSP)
Motion Detection	Yes (DSP)
Burnt-in Text (Digital)	Yes (DSP)
Output	1 Loop Out (BNC Connector)
Audio	
Input	1 channel
Output	1 channel
Compression Format	G.711

Function	
Digital Input	4 channel
Digital Output	2 channel
RS-485	Yes
RS-232C	Not Available
Network	10 / 100 Base-T TCP/IP, UDP/IP, HTTP, RTSP, RTCP, RTP/UDP, RTP/TCP, SNMP, mDNS, UPnP, SMTP, SOCK, IGMP, DHCP, DDNS, SSL v2/v3, IEEE 802.1X, SSH
Protocol	
USB 2.0	Not Available
SD Memory Card Slot	Yes (microSD type)
Electrical	
Power Source	18~32 VAC 60/50Hz 850mA (indoor) 18~32 VAC 60/50Hz 1.5A (outdoor)
Power over Ethernet	Not Available
Power Consumption (Approx)	18W Max (indoor) 36W Max (outdoor)
Environmental	
Fan / Heater	Fan and heater (outdoor) -10°C ~ 50°C (14°F ~ 122°F) (indoor) -40°C ~ 50°C (-40°F ~ 122°F) (outdoor)
Operating Temperature	
Certification	FCC/ CE, IP66 (outdoor)
Operating Humidity	Up to 85% RH (Non-condensing)
Mechanical	
Material (Indoor)	ABS
(Outdoor)	Aluminum , Anti-vandal bubble (Poly Carbonate)
Colour	Cool gray
Dimension	Housing: 147(Φ) x 190(H) mm / 5.8"(Φ) x 7.5"(H) (indoor) Housing: 190(Φ) x 307(H) mm (outdoor)
Weight (Approx)	1.9kg (5lbs) (indoor) 5.7 kg (outdoor)
Video Content Analytics (Included as Standard)	
High Performance	Advanced Tracking Algorithm, Low False Alarm Rate
Easy to Use	Intuitive Web Browser Interface
Detection Zones	Multi-segment Polygons and Lines
On-screen Display	Real-time Display of Tracking Data and Events
Video Content Analytics (Option)	
Detection Behaviour	Direction, Stopping, Loitering, Entering, Exiting, Appear, and Disappear Filters
3D Behaviour	Perspective Corrected Size and Speed Filters
Statistics	Counting Functions and Other Statistics
Meta Data	Binary XML Format
Image Stabilization (Option)	
Electronic Stabilization	Removes Camera Sway

Dimension



Video Analytics included

Please visit mitsubishielectric.co.uk/vis for mounted bracket details.

 **MITSUBISHI ELECTRIC EUROPE**

New publication, effective August 2010 Specifications subject to change without notice.