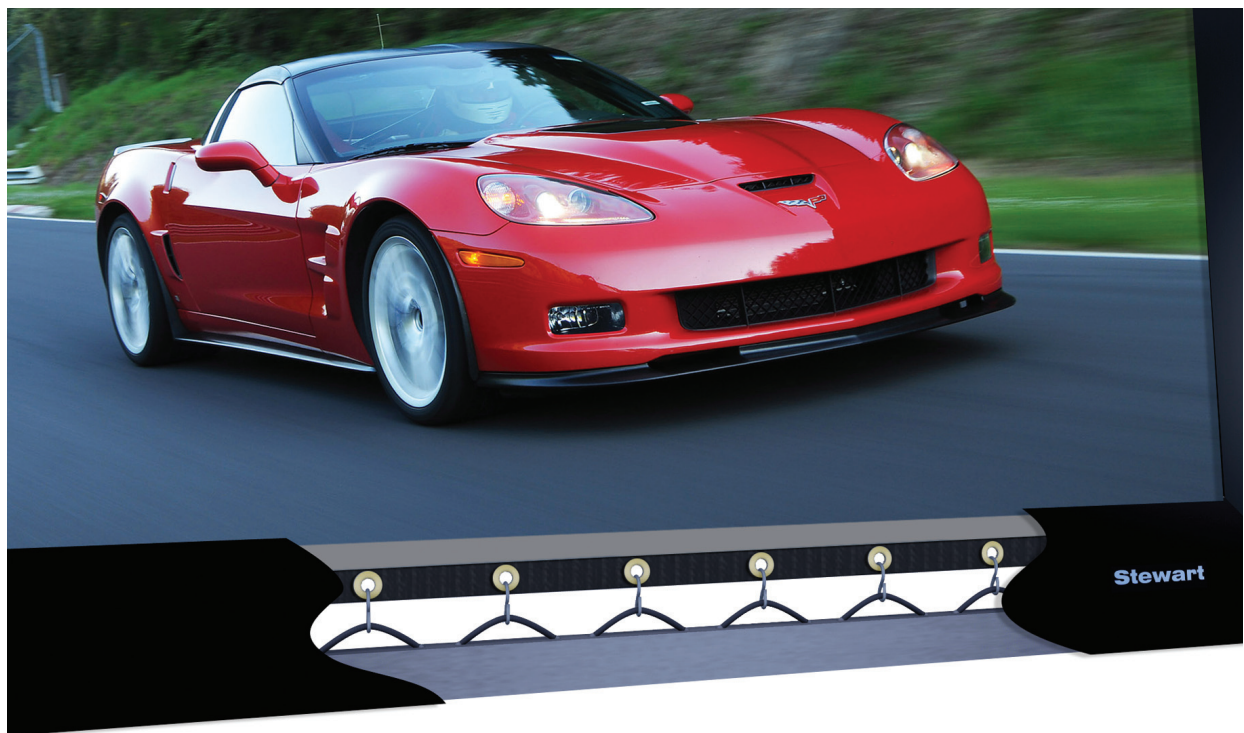


# AT Series Frames

---

AT Frames are engineered to suit your design needs



# AT Series Frame

The AT frame series are made with seamless aluminum tubing, heliarc welds, shock (stretch) cord and "S" hooks to secure screen edge through grommets. Frame assembles in minutes with factory slip-joint corners. Each system is designed and built to your individual specification and need.

AT frames are engineered to suit your design needs. Optional frame corners (a curved or mitered) are available in two-inch and three-inch tubing. If a frameless appearance is desired, Stewart Filmscreen manufactures an AT frame with the screen material wrapped around the frame.

When designing a large fixed projection screen system, please consider the following options: Flat or curved screen (frame can be curved to any radius); No masking or black frame masking; wrap-around or standard material design (screen fabric can be wrapped around frame perimeter pipe).

## AT-2 SERIES FRAME

- 2" aluminum tube frame
- Standard mitered corners or optional rounded corners
- 6" VeLux™ border (available without border upon request)
- Curved frame (optional)
- Lace and grommet fastening system
- Available with any of Stewart's flexible front or rear projection screen materials

## AT-3 SERIES FRAME

- 3" aluminum tube frame
- Standard mitered corners or optional rounded corners
- 8" VeLux™ border (available without border upon request)
- Curved frame (optional)
- Lace and grommet fastening system
- Available with any of Stewart's flexible front or rear projection screen materials

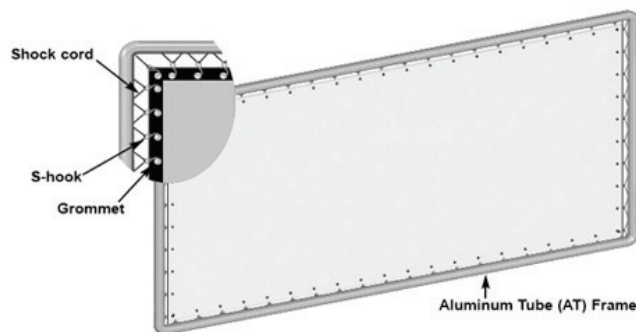
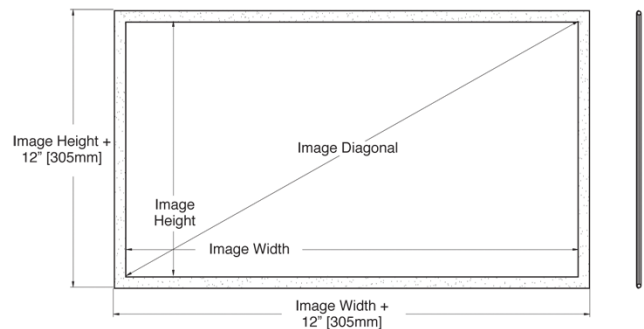


Figure 1. Assembled screen (curved corners, no masking); audience view

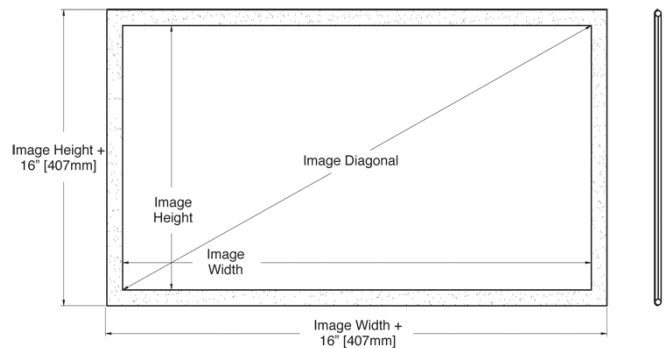
## FEATURES

- Lace and grommet style fastening system for easy installation and maintenance
- Optimize with any of Stewart's flexible projection screen material
- Mitered (square) or rounded slip-joint corners
- Optional VeLux™ finished panels to create a clean finished look and absorb possible over-scan
- Wrap-around and curved options available



ATM2M

Rear projection screens up to 20 feet wide (clear, span, no back brace).  
Front projection screens up to 30 feet wide (factory back brace is included).



ATM3M

Rear projection screens up to 30 feet wide (clear, span, no back brace).  
Front projection screens up to 90 feet wide (factory back brace is included).