

Luxus Model A

This basic retractable model is ideal for multi-purpose applications within residential or commercial settings



Luxus Model A

The Luxus Model A is ideally used in multi-purpose applications within the home. This basic style electronically controlled retractable model allows you the option of having the screen disappear when not in use.

The Luxus Model A is available with variety of Stewart's front or rear projection materials. Our exclusive Tab-Guy™ tensioning system ensures a smooth and completely flat screen surface. Matte black over-scan borders* provide a perfectly masked image area.

Microperf X2 is available when acoustic transparency is required (acoustically transparent black drop available upon request).

SPECIFICATIONS

Electrically controlled retractable screen system	Included
Aluminum extrusion housing/case	Included
3-1/4 inch roller tube with insulated screen drive	Included
Tab-Guy™ tensioning system	Included
Matte black over-scan border	Included

MATERIAL

Front projection material	Included
Rear projection material	Optional

PERFORATIONS

Microperf X2 THX Ultra	Optional
Acoustically transparent masking panels	Optional

MOUNTING

Wall	Included
Ceiling	Included
Eyebolts	Included

SCREEN MOTOR

120 Volt	Included
220 Volt	Optional

SCREEN CONTROL

HVS (high voltage switch)	Included
LVC (low voltage control - includes 3-button switch)	Optional
STI (12V screen trigger interface)	Optional
Quiet electronic drive	Optional

CASE/HOUSING DIMENSIONS

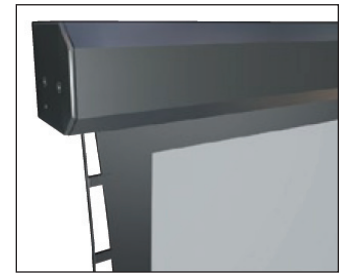
Case height (LX)	5.5" (140 mm)
Case depth (LX)	5.75" (146 mm)
Case height (LXC)	7.25" (181 mm)
Case depth (LXC)	6" (155 mm)

- Optional control systems offered
- Luxus Model A Classic is available when larger size or reverse roll option is required

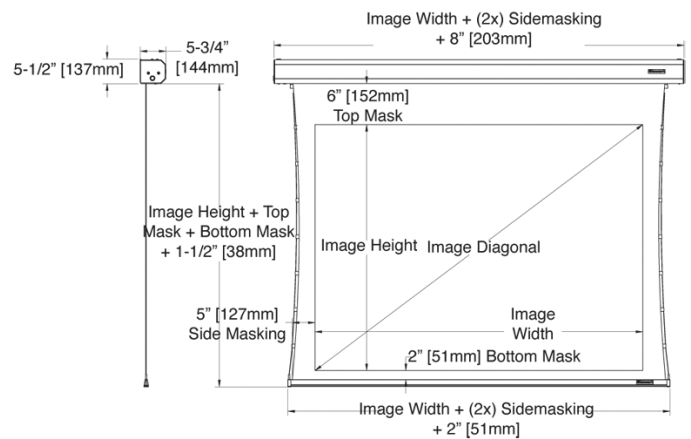
For custom sizes and gains, please consult the WebSA or your local Stewart representative.



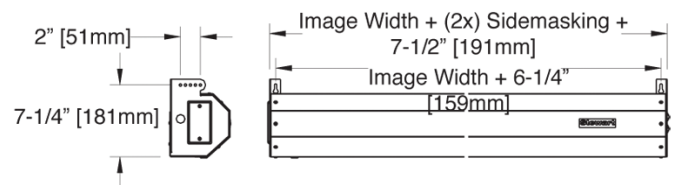
Luxus Model A Classic



Luxus Model A



**Luxus Model A Classic ElectriScreen



RESIDENTIAL

Find your local representative at www.stewartfilmscreen.com/rep