

SMS PROJECTOR X CL F



Is your ceiling low or high?

A projector bracket suitable for any height. Available in several lengths, with the possibility of cutting to the correct length where required. Not only that – it's also very easy to install – you can actually mount and dismount the projector and slide with one hand.

The X-series is characterised by simplifying features and an attention to detail. Such as the ingenious cable holder where you can easily hide all the cables. Or the snap-on function for rapid mounting of the projector slide. The surface finish has also been given an extra coat.

- | | | | |
|---|--|---|--------------------------------|
| <input checked="" type="radio"/> Ceiling | <input type="radio"/> Heavy weight | <input checked="" type="radio"/> Fixed | <input type="radio"/> Variable |
| <input type="radio"/> Wall | <input type="radio"/> Middle weight | <input type="radio"/> Swivel | <input type="radio"/> UniSlide |
| <input type="radio"/> Floor | <input checked="" type="radio"/> Light weight | <input type="radio"/> Tilt | <input type="radio"/> Hidden |
| <input type="radio"/> Table | | <input type="radio"/> 3D | <input type="radio"/> Double |
| | | <input type="radio"/> Mobile | |



SMS PROJECTOR X - CL F

INFO

- Finish: A/B (aluminium/black) or A/W (aluminium/white).
- Maximum load: 7 kg.
- Column length: 250, 500, 750, 1000, 1500 or 2300 mm.
- Tilt and swivel: can be tilted by 25° and swivelled 360°.
- Delivered with ceiling plate.
- Delivered with the SMS Projector X Unislide.

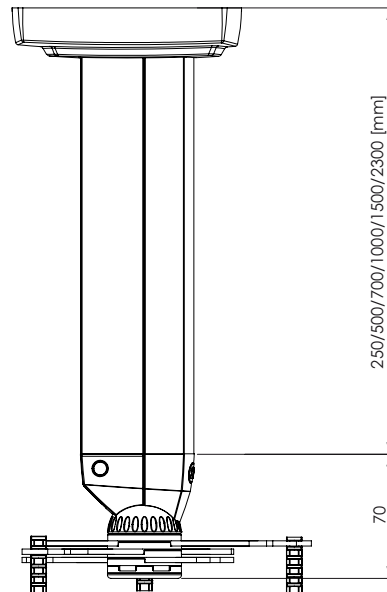
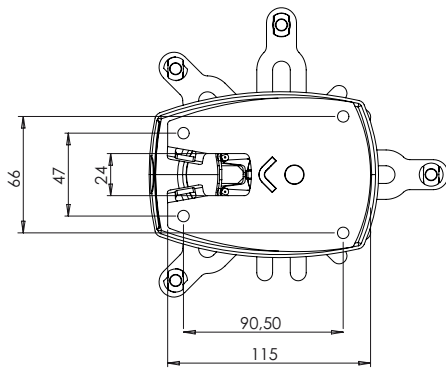
ARTICLE NO.

DESCRIPTION

AE015001	SMS Projector X CL F250 A/B
AE015002	SMS Projector X CL F250 A/W
AE015003	SMS Projector X CL F500 A/B
AE015004	SMS Projector X CL F500 A/W
AE015005	SMS Projector X CL F750 A/B
AE015006	SMS Projector X CL F750 A/W
AE015007	SMS Projector X CL F1000 A/B
AE015008	SMS Projector X CL F1000 A/W
AE015009	SMS Projector X CL F1500 A/B
AE015010	SMS Projector X CL F1500 A/W
AE015011	SMS Projector X CL F2300 A/B
AE015012	SMS Projector X CL F2300 A/W



Snap-on attachment allows rapid mounting and dismounting.



SMART MEDIA SOLUTIONS

www.SmartMediaSolutions.se