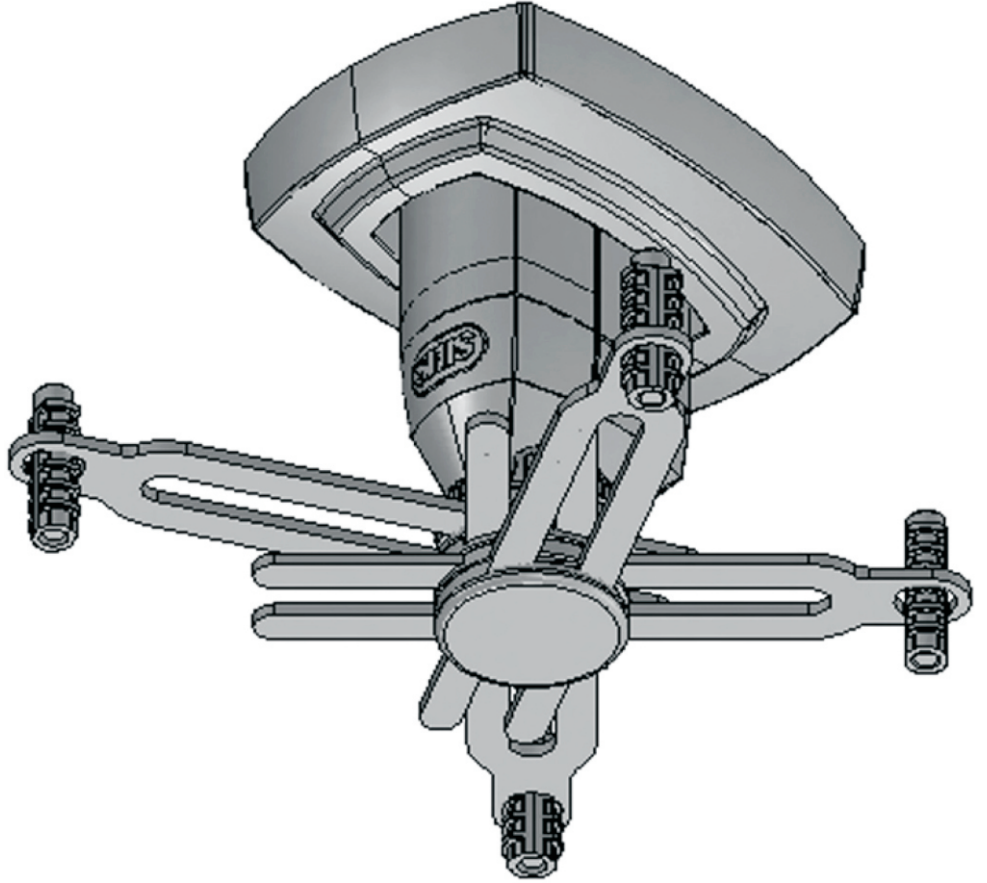
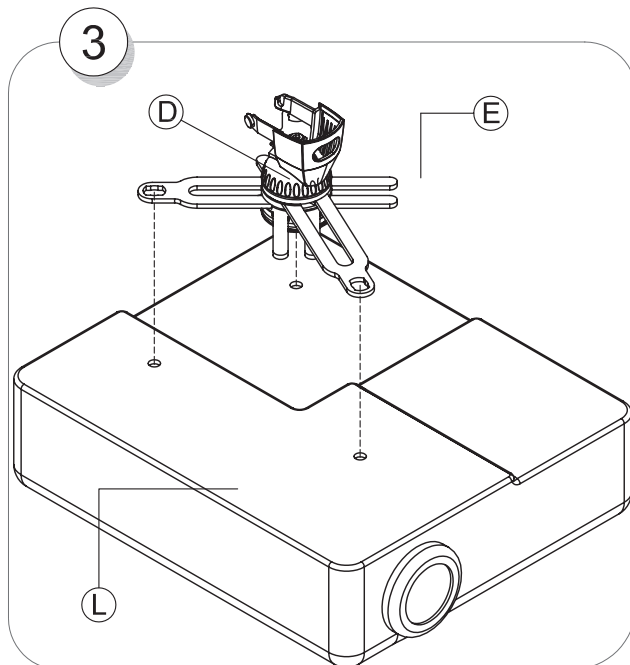
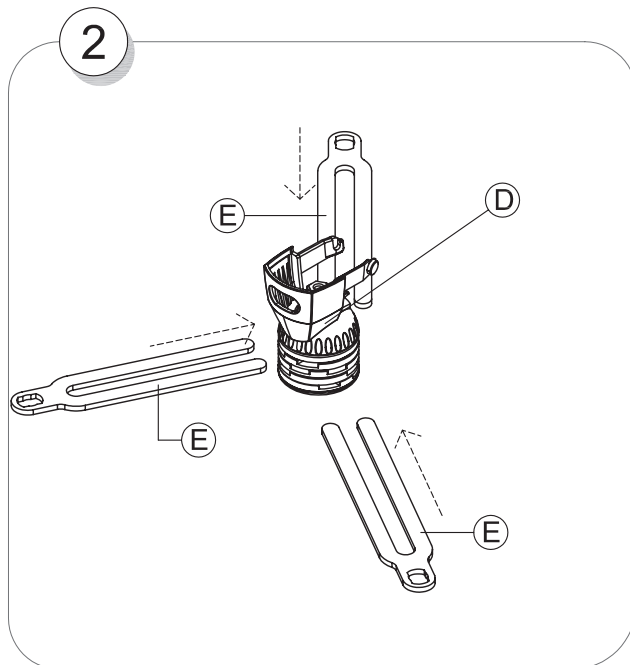
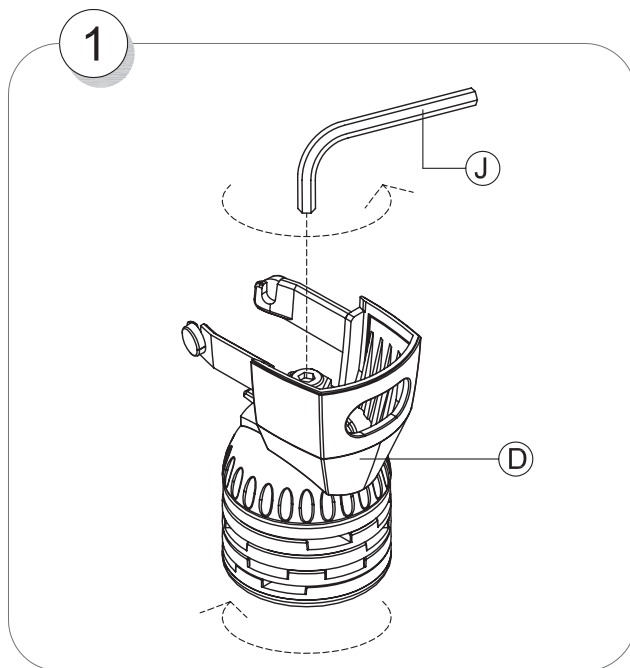
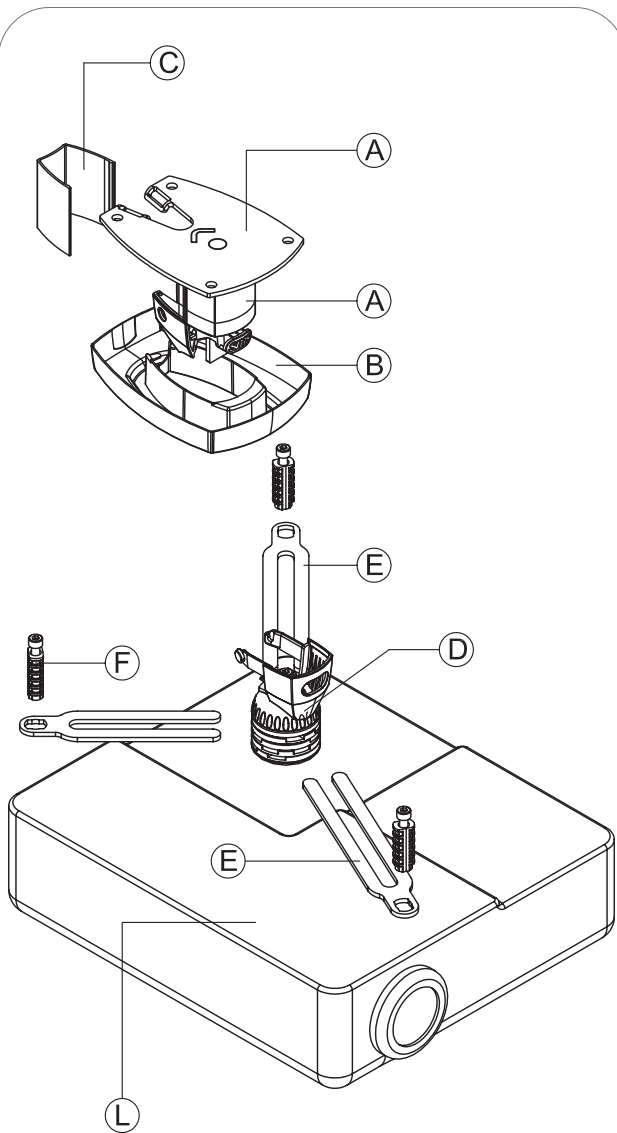




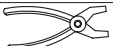


SMS PROJECTOR XCLF

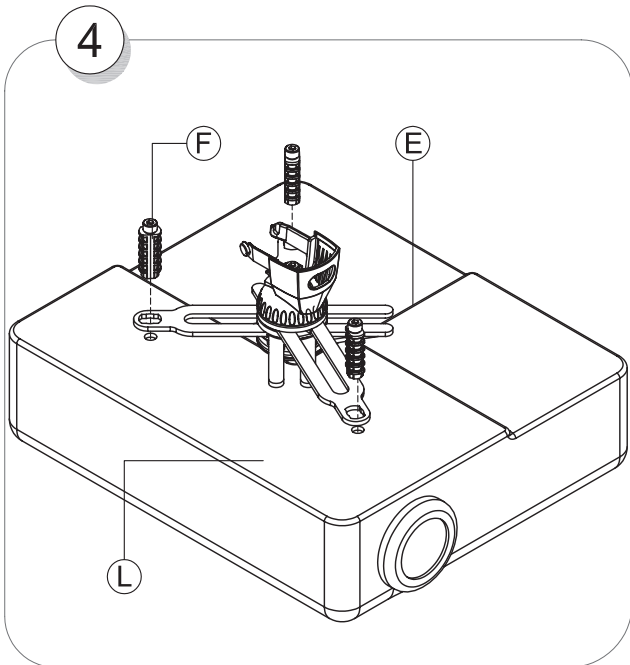




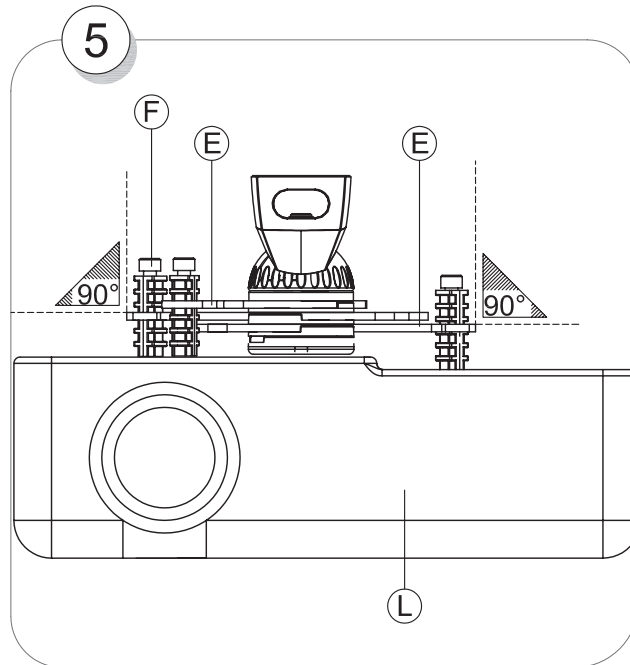
Contents

A.	Aluminium Pillar assembly complete		1
B.	Plastic cover (for ceiling plate)		1
C.	Plastic cover (for hiding cables)		1
D.	SMS Projector X main body		1
E.	SMS Projector Arms		5
F.	Holder screw		4
G.	Cable strap		2
H.	Spanner/ Key		2
I.	Double sided tape		4
J.	Allen Keys		2
K.	Ceiling Screws+washers (Not included)		
L.	Projector (Not included)		
M.	Plier (Not included)		
N.	Cables (Not included)		

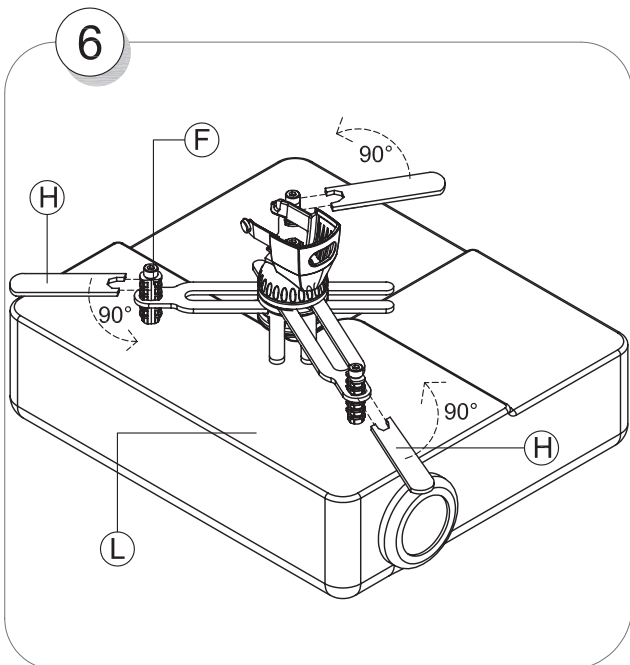
4



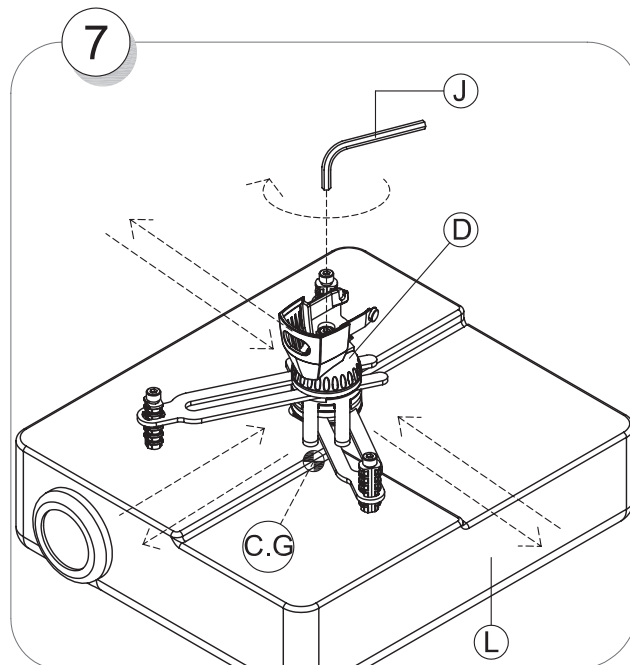
5



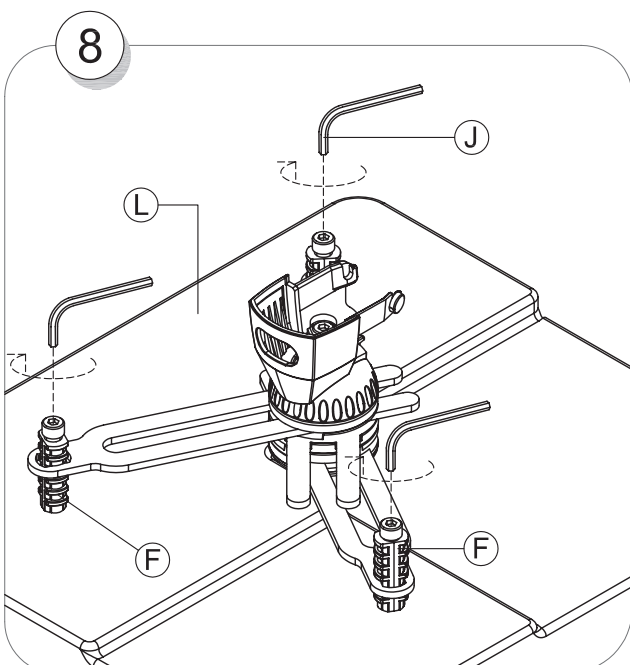
6



7



8



9

